



M48MP

Vertical Baler

The M48MP Vertical Baler is the Ideal Solution For:

- Supermarkets
- Hotels/Motels
- Department Stores
- Manufacturing Facilities
- Colleges/Universities
- Industrial/Commercial Sites
- Shopping Centers

Setting the standard for performance and value with a low profile design that operates under a 120" ceiling.

Compare these features of the M48MP with the competition:

- Low profile design operates under a 10' ceiling
- The M48MP has the power of larger vertical balers incorporated into a compact design
- This baler will handle many of your recycling needs with ease and speed
- Will produce up to 400 pound bales
- Features an adjustable bale maximizer timer to produce perfect bales every time

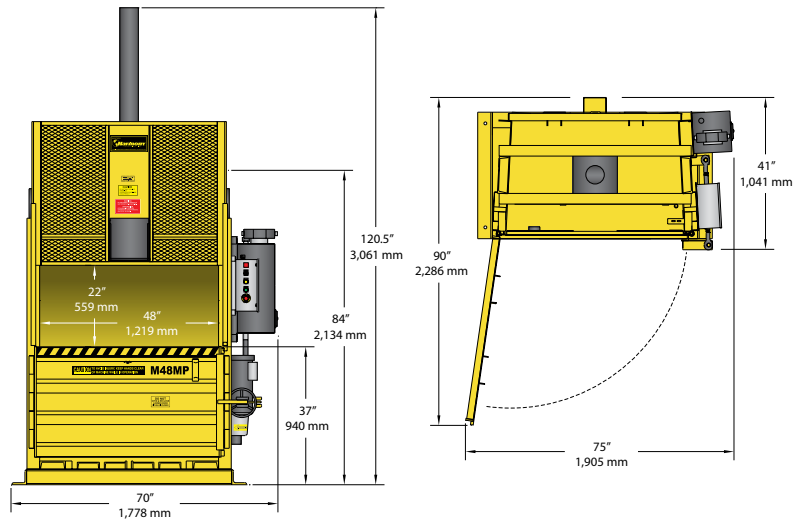
- 28 second cycle time
- Designed for safe, one-person operation
- Lower cost of operation when compared to larger vertical balers
- Reduces your waste disposal costs and saves you money

The M48MP Vertical Baler, another great idea from Harmony Enterprises...*The Undisputed Leader in Quality Manufacturing.*





M48MP Vertical Baler



Standard M48MP Features:

- Control panel is UL® listed
- Powerful 4.5" cylinder with heavy-duty 3" rod for extra long life
- Adjustable Bale Maximizer Timer for excellent bale quality
- Enclosed counterbalance for upper door lifting ease
- Heavy-duty hydraulic ejection for extra dense bales
- Heavy-duty motor and hydraulics for extra long life
- Meets or exceeds all ANSI and OSHA safety standards

SPECIFICATIONS

Bale Size	30" x 48" x up to 30" (762 mm x 1,219 mm x up to 762 mm)
Bale Weight	up to 400 lbs. (181 kg)
Ram Pressure	36,580 lbs. (16,592 kg)
Cycle Time	23 seconds
Cylinder	4.5" bore (114 mm) 3" rod (76 mm) 40" stroke (1,016 mm)
Motor	5 horsepower, 3,450 RPM, TEFC
Pump	Two-stage
Electrical Power	208/230/460 volt, 3 phase, 60 hz
Bale Eject	Hydraulic
Bale Tying	Wire or banding

DIMENSIONS

Loading Door Opening	22" x 48" (559 mm x 1,219 mm)
Overall Height	120.5" (3,061 mm)
Overall Depth	41" (1,041 mm)
Overall Width	70" (1,778 mm)
Depth with Door Open	90" (2,286 mm)
Shipping Height	84" (2,134 mm)
Shipping Weight	2,986 lbs. (1,354 kg)
Installation and Operating Area	38 square feet (3.5 square meters)

Specifications subject to change without notice.



Harmony Enterprises, Inc. 704 Main Avenue North Harmony, MN 55939 USA
 1.800.658.2320 toll free | 1.507.886.6666 international | 1.507.886.6706 fax
 Email us at info@harmony1.com or visit us online at www.harmony1.com

©2009 Harmony Enterprises, Inc. All rights reserved. Form HEI_M48MP_US 09/09 SC